

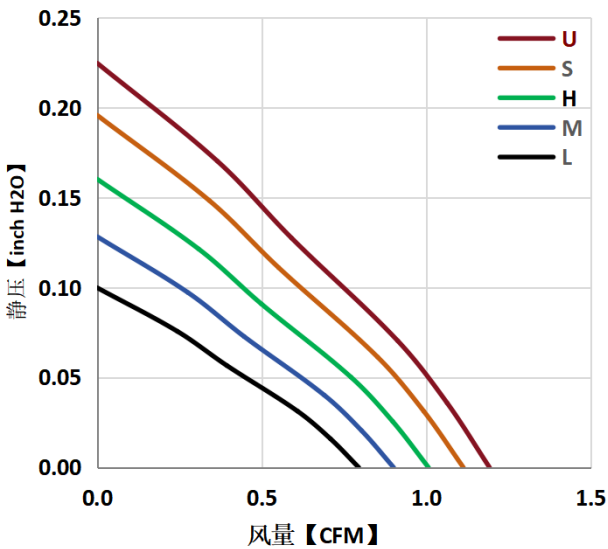
# 30x30x10mm



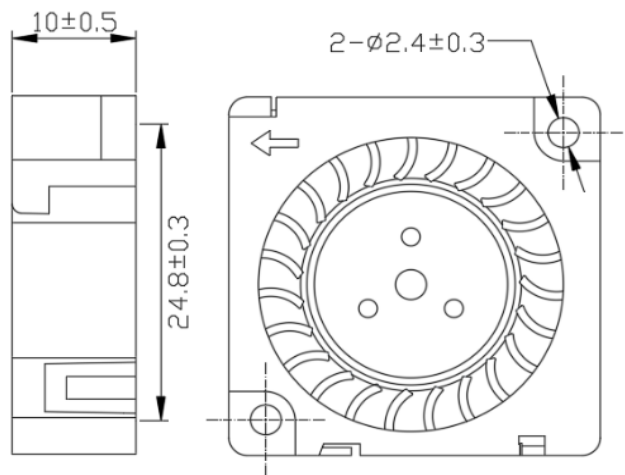
产品系列 ..... JB3010-01  
 Produce Series ..... JB3010-01  
 扇叶材料 ..... PBT 94V-0  
 Fan Blade Material ..... PBT 94V-0  
 扇框材料 ..... PBT 94V-0  
 Fan Frame Material ..... PBT 94V-0  
 轴承结构 ..... 双滚珠(B)  
 Bearing Structure ..... Double ball bearing  
 工作温度 ..... -20°C~70°C  
 Operation Temperature .... -20°C~70°C

型号 Model	电压 Rated voltage [V]	电流 Rated current [mA]	功率 Rated input [W]	转速 Rated speed [R.P.M]	风量 Air flow [CFM]	风压 Static pressure [inchH2O]	噪音 Noise [dBA]
JB3010B5L-1	5	42	0.2	6000	0.8	0.146	22.7
JB3010B5M-1		61	0.3	6800	0.9	0.188	25.4
JB3010B5H-1		85	0.4	7600	1.0	0.235	27.8
JB3010B5S-1		115	0.6	8400	1.2	0.287	30.0
JB3010B5U-1		128	0.6	9000	1.2	0.329	31.5
JB3010B12L-1	12	19	0.2	6000	0.8	0.146	22.7
JB3010B12M-1		28	0.3	6800	0.9	0.188	25.4
JB3010B12H-1		39	0.5	7600	1.0	0.235	27.8
JB3010B12S-1		53	0.6	8400	1.2	0.287	30.0
JB3010B12U-1		59	0.7	9000	1.2	0.329	31.5

## 基本参数 Basic parameters



## 产品尺寸 Dimensions



单位/Unit: mm