

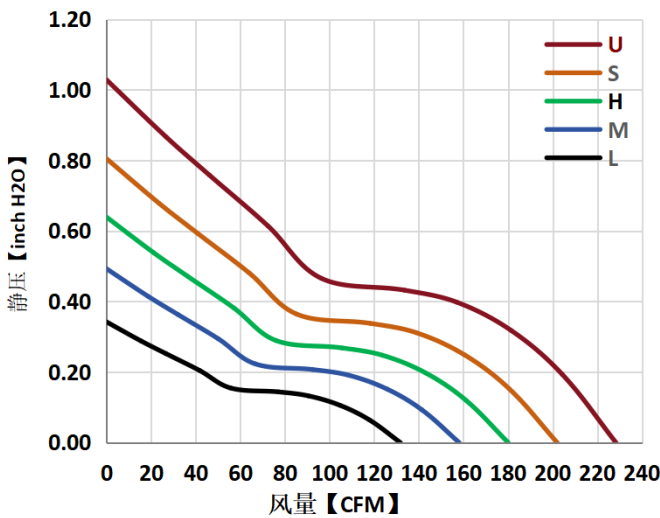
120x120x38mm



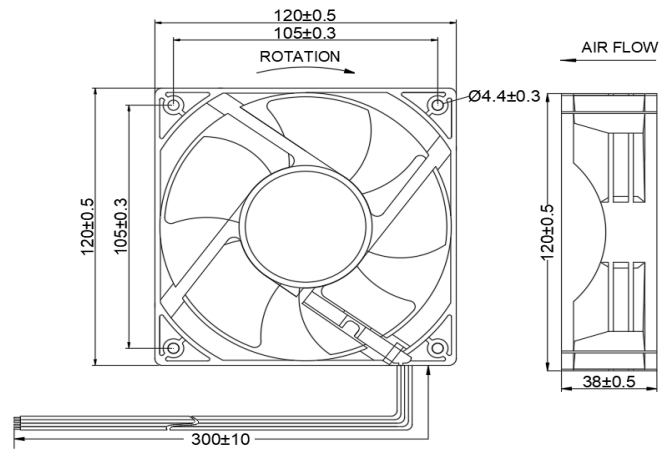
- 产品系列 JC12038-01
Produce Series JC12038-01
- 扇叶材料 PBT 94V-0
Fan Blade Material PBT 94V-0
- 扇框材料 PBT 94V-0
Fan Frame Material PBT 94V-0
- 轴承结构 双滚珠(B)
Bearigng Structure Double ball bearing
- 工作温度 -20℃~70℃
Operation Temperature -20℃~70℃

型号 Model	电压 Reted voltage [V]	电流 Reted current [mA]	功率 Reted input [W]	转速 Reted speed [R. P. M]	风量 Air flow [CFM]	风压 Statc pressure [inchH2O]	噪音 Noise [dBA]
JC12038B12L	12	542	6.5	3000	131.8	0.343	45.3
JC12038B12M		893	10.7	3600	158.1	0.494	49.6
JC12038B12H		1320	15.8	4100	180.1	0.640	53.0
JC12038B12S		1864	22.4	4600	202.0	0.806	55.5
JC12038B12U		2448	29.4	5200	228.4	1.030	58.1
JC12038B24L	24	298	7.2	3000	131.8	0.343	45.3
JC12038B24M		491	11.8	3600	158.1	0.494	49.6
JC12038B24H		726	17.4	4100	180.1	0.640	53.0
JC12038B24S		1025	24.6	4600	202.0	0.806	55.5
JC12038B24U		1346	32.3	5200	228.4	1.030	58.1
JC12038B48L	48	164	7.9	3000	131.8	0.343	45.3
JC12038B48M		270	13.0	3600	158.1	0.494	49.6
JC12038B48H		399	19.2	4100	180.1	0.640	53.0
JC12038B48S		564	27.1	4600	202.0	0.806	55.5
JC12038B48U		740	35.5	5200	228.4	1.030	58.1

基本参数 Basic parameters



产品结构图 Outline



单位: mm

* 以上产品可选项 (转速/FG/RD/PWM) 及客制化设计需要要求, 请与JENTECH销售联系
* 以上产品如有设计变更, 恕不另行通知, 请以规格承认书为准.