

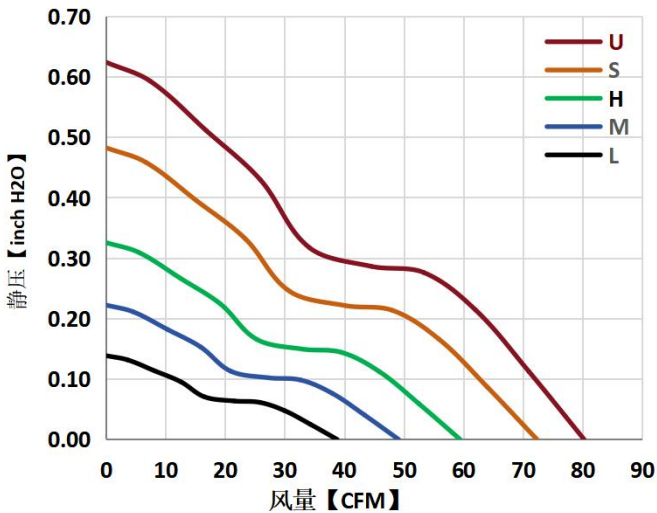
80x80x25mm



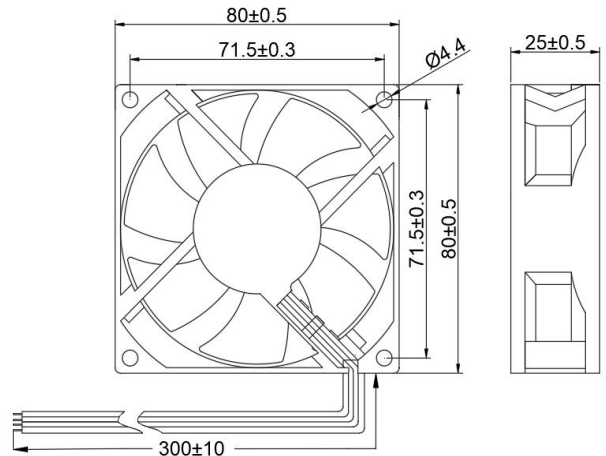
- 产品系列 JC8025-01
Produce Series JC8025-01
- 扇叶材料 PBT 94V-0
Fan Blade Material PBT 94V-0
- 扇框材料 PBT 94V-0
Fan Frame Material PBT 94V-0
- 轴承结构 双滚珠(B)
Bearigng Structure Double ball bearing
- 工作温度 -10°C~70°C
Operation Temperature -10°C~70°C

| 型号 Model | 电压 Reted voltage [V] | 电流 Reted current [mA] | 功率 Reted input [W] | 转速 Reted speed [R. P. M] | 风量 Air flow [CFM] | 风压 Statc pressure [inchH2O] | 噪音 Noise [dBA] |
|-------------|----------------------------|-----------------------------|--------------------------|--------------------------------|-------------------------|-----------------------------------|----------------------|
| JC8025B12L | 12 | 120 | 1.4 | 3000 | 38.7 | 0.141 | 32.1 |
| JC8025B12M | | 149 | 1.8 | 3800 | 49.1 | 0.222 | 37.8 |
| JC8025B12H | | 280 | 3.4 | 4600 | 59.4 | 0.326 | 42.9 |
| JC8025B12S | | 542 | 6.5 | 5600 | 72.3 | 0.483 | 48.4 |
| JC8025B12U | | 649 | 7.8 | 6400 | 80.2 | 0.624 | 53.3 |
| JC8025B24L | 24 | 66 | 1.6 | 3000 | 38.7 | 0.141 | 32.1 |
| JC8025B24M | | 120 | 2.9 | 3800 | 49.1 | 0.222 | 37.8 |
| JC8025B24H | | 154 | 3.7 | 4600 | 59.4 | 0.326 | 42.9 |
| JC8025B24S | | 298 | 7.2 | 5600 | 72.3 | 0.483 | 48.4 |
| JC8025B24U | | 357 | 8.6 | 6400 | 80.2 | 0.624 | 53.3 |
| JC8025B48L | 48 | 36 | 1.7 | 3000 | 38.7 | 0.141 | 32.1 |
| JC8025B48M | | 66 | 3.2 | 3800 | 49.1 | 0.222 | 37.8 |
| JC8025B48H | | 85 | 4.1 | 4600 | 59.4 | 0.326 | 42.9 |
| JC8025B48S | | 164 | 7.9 | 5600 | 72.3 | 0.483 | 48.4 |
| JC8025B48U | | 196 | 9.4 | 6400 | 80.2 | 0.624 | 53.3 |

基本参数 Basic parameters



产品结构图 Outline



单位: mm

* 以上产品可选项 (转速/FG/RD/PWM) 及客制化设计需要要求, 请与JENTECH销售联系
* 以上产品如有设计变更, 恕不另行通知, 请以规格承认书为准.